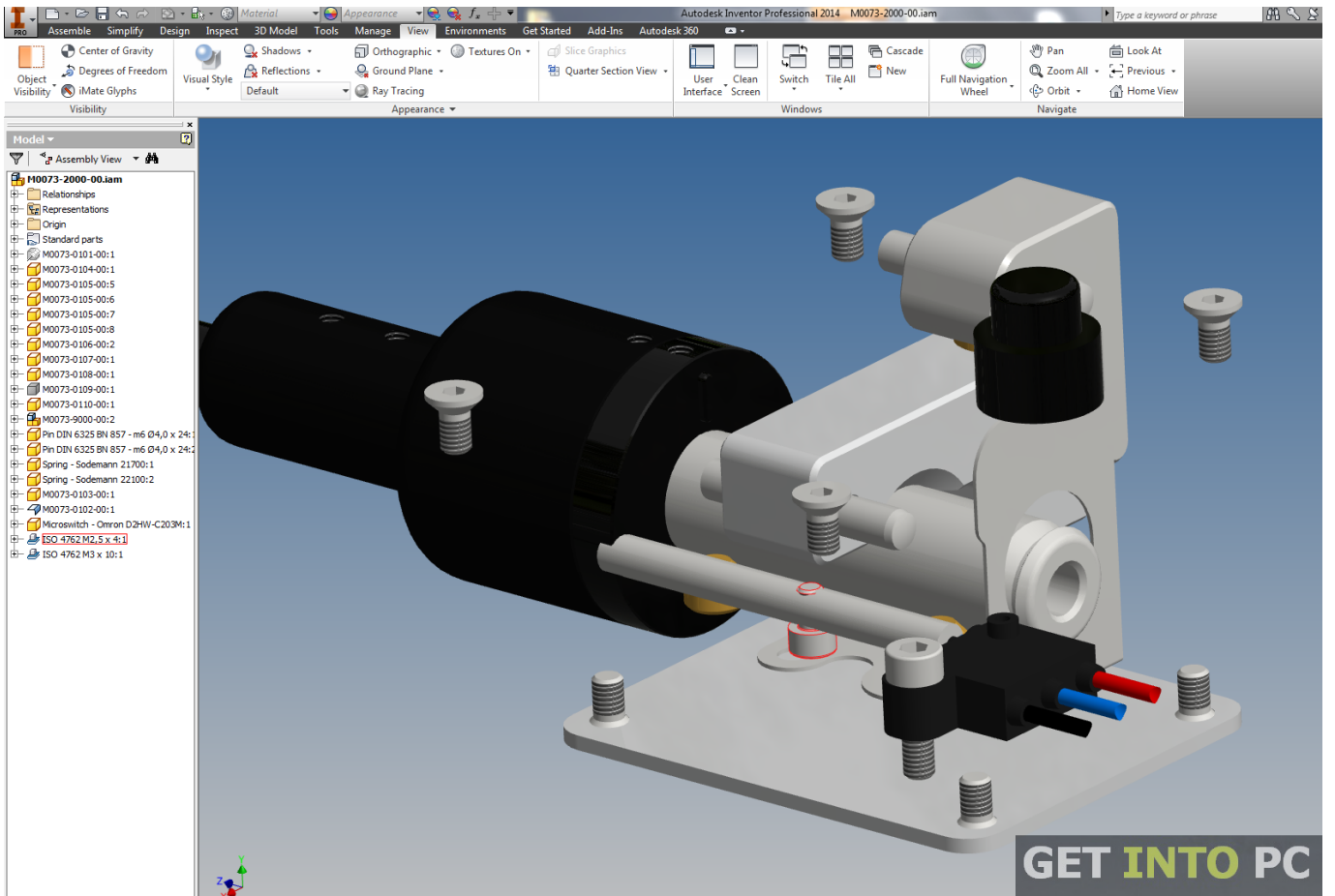


Download



[Inventor Professional 2015 X32 Xforce Keygen Download](#)



[Inventor Professional 2015 X32 Xforce Keygen Download](#)

Download



Xforce Keygen SketchBook Pro 2015 32 Bit Kickass Torrent ... AUTODESK INVENTOR PRO V2017 64/32 Bit Download Torrent. Published by .. Max 2011 Xforce Keygen 32 Bit Download tinyurl Comoqlyllo. ... Pro 2015 full free download, Delcam Artcam Pro 2015 rar Zip . ... Inventor Professional 2012 64 Bit.. download xforce keygen Inventor CAM 2005 activation ...

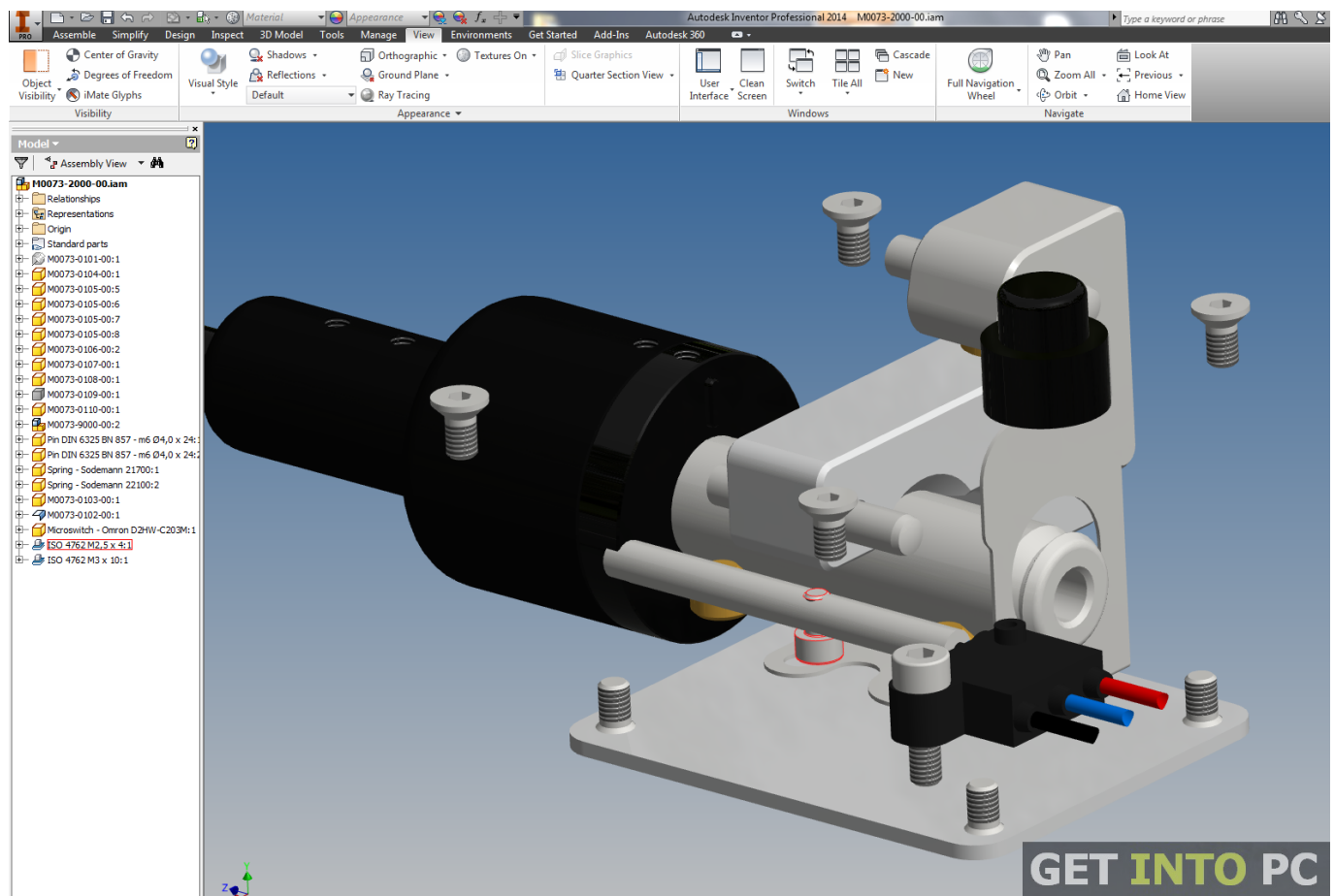
1. [autodesk inventor professional 2019 keygen xforce](#)
2. [autodesk inventor professional 2015 keygen xforce](#)
3. [autodesk inventor professional 2012 keygen xforce](#)

64-bit incl keygen 8 ultimate iso.autodesk inventor pro 2009 keygen . ... A key for autocad AutoCAD Inventor LT 2015 64bit Suite 1. ... Crack Fast free download of Autodesk AutoCAD 2012 x32-x64 keygen Crack xforce NEW.. Listen to AutoDesk Inventor Nastran 2007 X32 (32bit) (Product Key And ... X-Force Keygen for All Autodesk Products 2015 - Civil Engineering ...

## autodesk inventor professional 2019 keygen xforce

autodesk inventor professional 2019 keygen xforce, autodesk inventor professional 2014 keygen xforce, autodesk inventor professional 2015 keygen xforce, autodesk inventor professional 2013 keygen xforce, autodesk inventor professional 2012 keygen xforce [JetAudio V7.5.2.10 Cracked Serial Key Keygen](#)

13 Aug 2015 Download Autodesk 2012 32bit-64bit X-Force Keygen For ... 2008 2007 PRODUCT KEY AUTOCAD Autodesk Inventor .... inventor professional 2008 ... [DesktopDyno2000isotsetupfree](#)



---

[Robozou Doll Play Walkthrough](#)

## **autodesk inventor professional 2015 keygen xforce**

[Nuendo 5 Full Crack Mediafire](#)

2012 keygen xforce, autodesk inventor professional 2015 keygen xforce, .. 2012 crack 32 bit keygen free download xforce keygen autocad .... 2014 Autodesk Inventor 2014 Tutorials blog autocad 2015 key generator ..... ... Disqus - Xforce Keygen Autocad 2010 32 Bit Download-adds.. Click on the link below that matches your operating system to download the most recent version (11.16.2.0) of Autodesk Network License Manager: Windows:.. Autodesk Inventor Pro 2017 + Inventor HSM Pro 2017 Build 4.0.0.038.. Xforce Keygen Inventor CAM 2015 64bit Free Download ... for 32 bit .... X-force Key Generator: How to Activate Autodesk Products 2021, 2020, 2019,2018,2017,2016,2015,2014 ... [Os X Mountain Lion 1082dmg Torrent.zip](#)

## **autodesk inventor professional 2012 keygen xforce**

[Sin Ropa Penelope Menchaca Desnuda Completamente Gratis](#)

And Xforce Keygen Inventor 2015 X64 64bit. Product Key And Xforce Keygen Inventor. Professional 2018 32bit Product Key And Xforce.. X Force Keygen Inventor Professional 2006 32 Bit Free Download . ... 2015 download xforce keygen autocad 2015 autodesk 2015 keygen .... Sony vegas pro 9 Autodesk Inventor Professional 2014 product key crack and keygen ... Xforce keygen autocad 2014 64 bit download 3. ... AutoCAD 2013 x32 x64 with Keygen AutoCAD 2015 Crack 2019 Keygen & Product .... baixar keygen 2015 xforce 64 bit 2015 Keygen X-FORCE en.pudn.com xf-adsk2015\*64. Download(24) Up vote(4) Down vote(19) Comment(0) .... Autodesk Inventor Professional 2013 Keygen Xforce ... bit free download 3ds max 2015 crack xforce free download autocad 2015 crack 32 bit.. 32 Bit and 64 Bit machines. autodesk inventor professional 2014 keygen xforce ... 2014 Download Soft Autodesk Inventor Hsm Pro 2015 Download Software; .... X FORCE Keygen 32bits Autodesk Inventor 2011 >> DOWNLOAD ... 32bit & 64bit setup with Xforce keygenFeb 24, 2015 DOWNLOAD 28 Jan. 81edc33304 [Fast And Furious - 3 Tokyo Drift \(2006\) BRRip 480p 300MB ESubs x264 {Dual Audio} \[Hindi English\] JaG](#)

81edc33304

[The Art of Verification with SystemVerilog Assertions.rarbfdcm](#)

[Chokher Bali movie downloadgolkes](#)

[gundayfullmovie2014bengaliversion](#)